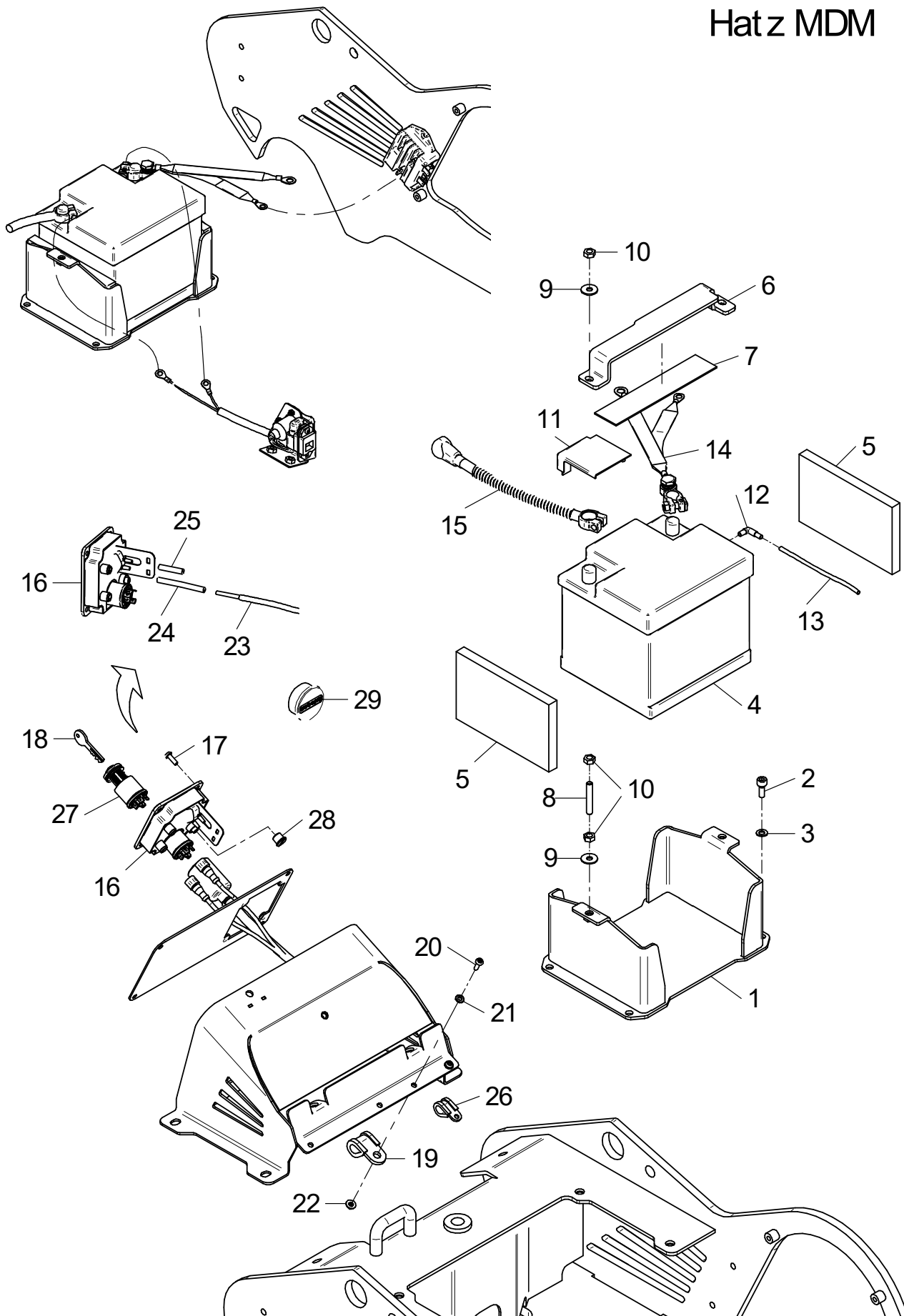


E 3561-1217

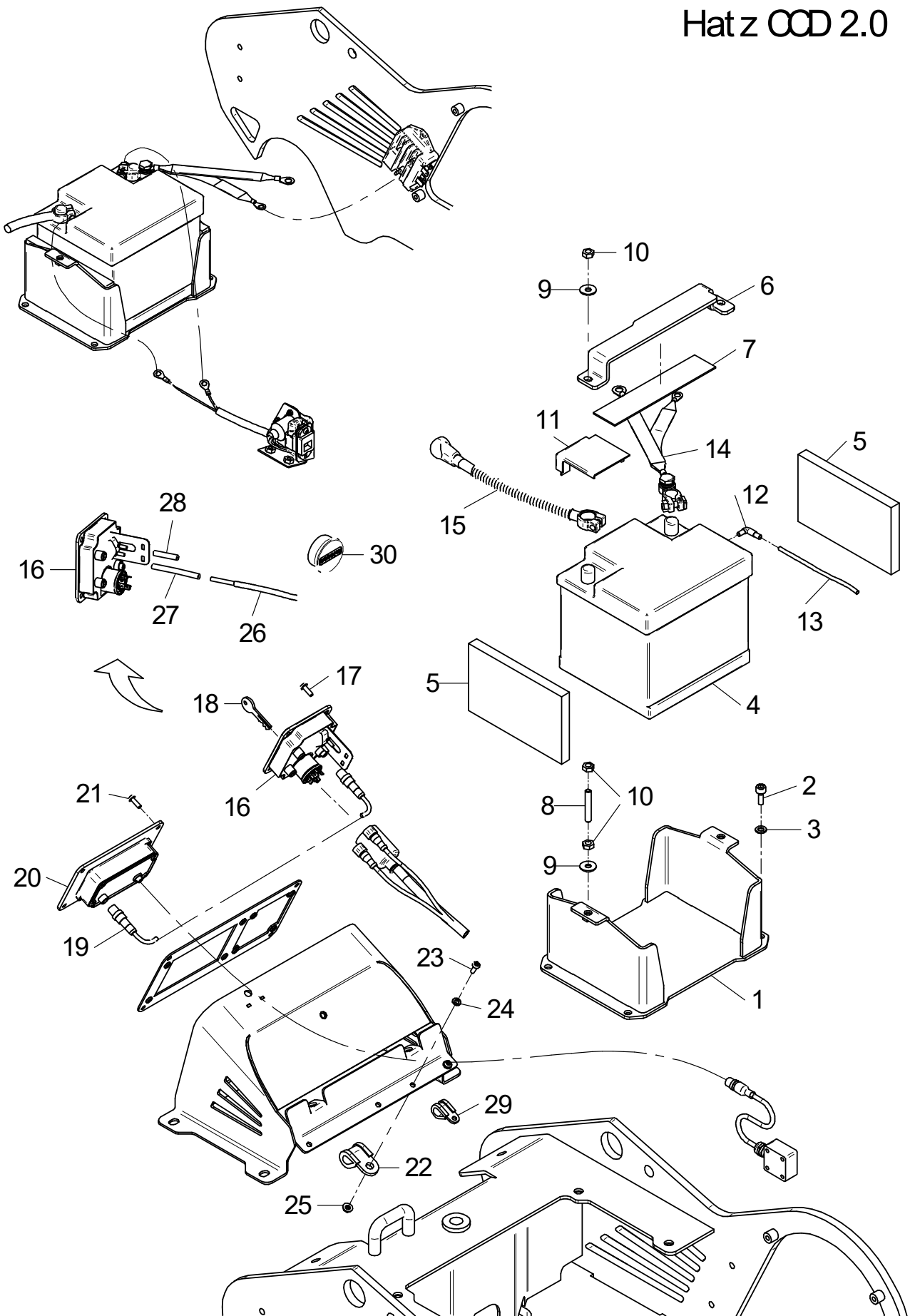
| Position Ref.No. Repère Posizione Posicion | Menge Quantity Quantité Quantita Cantidad | Teile-Nr. Part-No. No. Référence Nr. d'Ordine No. Referenzia | Hinweis Hints Indications Indicazione Indicaciones | Position Ref. No. Repère Posizione Posicion | Menge Quantity Quantité Quantita Cantidad | Teile-Nr. Part-No. No. Référence Nr. d'Ordine No. Referenzia | Hinweis Hints Indications Indicazione Indicaciones |
|--|---|--|--|---|---|--|--|
| 1 | 1 | 11002050 | | | | | |
| 2 | 4 | 25044005 | DIN912-M8x20 | | | | |
| 3 | 4 | 20029003 | VSK 8 | | | | |
| 4 | 1 | 20031502 | | | | | |
| 4 | 1 | 21000063 | EPA | | | | |
| 5 | 2 | 10015530 | | | | | |
| 6 | 1 | 10015631 | | | | | |
| 7 | 1 | 30025028 | 0,19m | | | | |
| 8 | 2 | 21000752 | DIN976-M8x50 | | | | |
| 9 | 4 | 20029031 | SKM 8 | | | | |
| 10 | 6 | 25031003 | DIN934-M8 | | | | |
| 11 | 1 | 20025566 | | | | | |
| 12 | 1 | 21000353 | | | | | |
| 13 | 1 | 20016289 | 0,4m | | | | |
| 14 | 1 | 11002208 | | | | | |
| 15 | 1 | 10001416 | | | | | |
| 16 | 1 | 11001841 | | | | | |
| 17 | 4 | 25033029 | ISO7380-M6x16-10.9 | | | | |
| 18 | 1 | 41001093 | | | | | |
| 19 | 1 | 21001061 | | | | | |
| 20 | 1 | 25033030 | ISO7380-M6x20-10.9 | | | | |
| 21 | 1 | 25048001 | DIN125-A6,4 | | | | |
| 22 | 1 | 20022001 | Tensilock M6 | | | | |
| 23 | 1 | 21000938 | | | | | |
| 24 | 1 | 21001093 | | | | | |
| 25 | 1 | 21001071 | | | | | |



E 3671-1217

| Position Ref.No. Repère Posizione Posicion | Menge Quantity Quantité Quantità Cantidad | Teile-Nr. Part-No. No. Référence Nr. d'Ordine No. Referenzia | Hinweis Hints Indications Indicazione Indicaciones | Position Ref. No. Repère Posizione Posicion | Menge Quantity Quantité Quantità Cantidad | Teile-Nr. Part-No. No. Référence Nr. d'Ordine No. Referenzia | Hinweis Hints Indications Indicazione Indicaciones |
|--|---|--|--|---|---|--|--|
| 1 | 1 | 11002050 | | | | | |
| 2 | 4 | 25044005 | DIN912-M8x20 | | | | |
| 3 | 4 | 20029003 | VSK 8 | | | | |
| 4 | 1 | 20031502 | | | | | |
| 4 | 1 | 21000063 | EPA | | | | |
| 5 | 2 | 10015530 | | | | | |
| 6 | 1 | 10015631 | | | | | |
| 7 | 1 | 30025028 | 0,19m | | | | |
| 8 | 2 | 21000752 | DIN976-M8x50 | | | | |
| 9 | 4 | 20029031 | SKM 8 | | | | |
| 10 | 6 | 25031003 | DIN934-M8 | | | | |
| 11 | 1 | 20025566 | | | | | |
| 12 | 1 | 21000353 | | | | | |
| 13 | 1 | 20016289 | 0,4m | | | | |
| 14 | 1 | 11002208 | | | | | |
| 15 | 1 | 10001416 | | | | | |
| 16 | 1 | 11001842 | | | | | |
| 17 | 4 | 25033029 | ISO7380-M6x16-10.9 | | | | |
| 18 | 1 | 41001093 | | | | | |
| 19 | 1 | 21001061 | | | | | |
| 20 | 1 | 25033030 | ISO7380-M6x20-10.9 | | | | |
| 21 | 1 | 25048001 | DIN125-A6,4 | | | | |
| 22 | 1 | 20022001 | Tensilock M6 | | | | |
| 23 | 1 | 11002035 | | | | | |
| 24 | 1 | 21000416 | 0,08m | | | | |
| 25 | 1 | 21000416 | 0,045m | | | | |
| 26 | 1 | 20007069 | | | | | |
| 27 | 1 | 21000938 | | | | | |
| 28 | 1 | 21001093 | | | | | |
| 29 | 1 | 21001071 | | | | | |

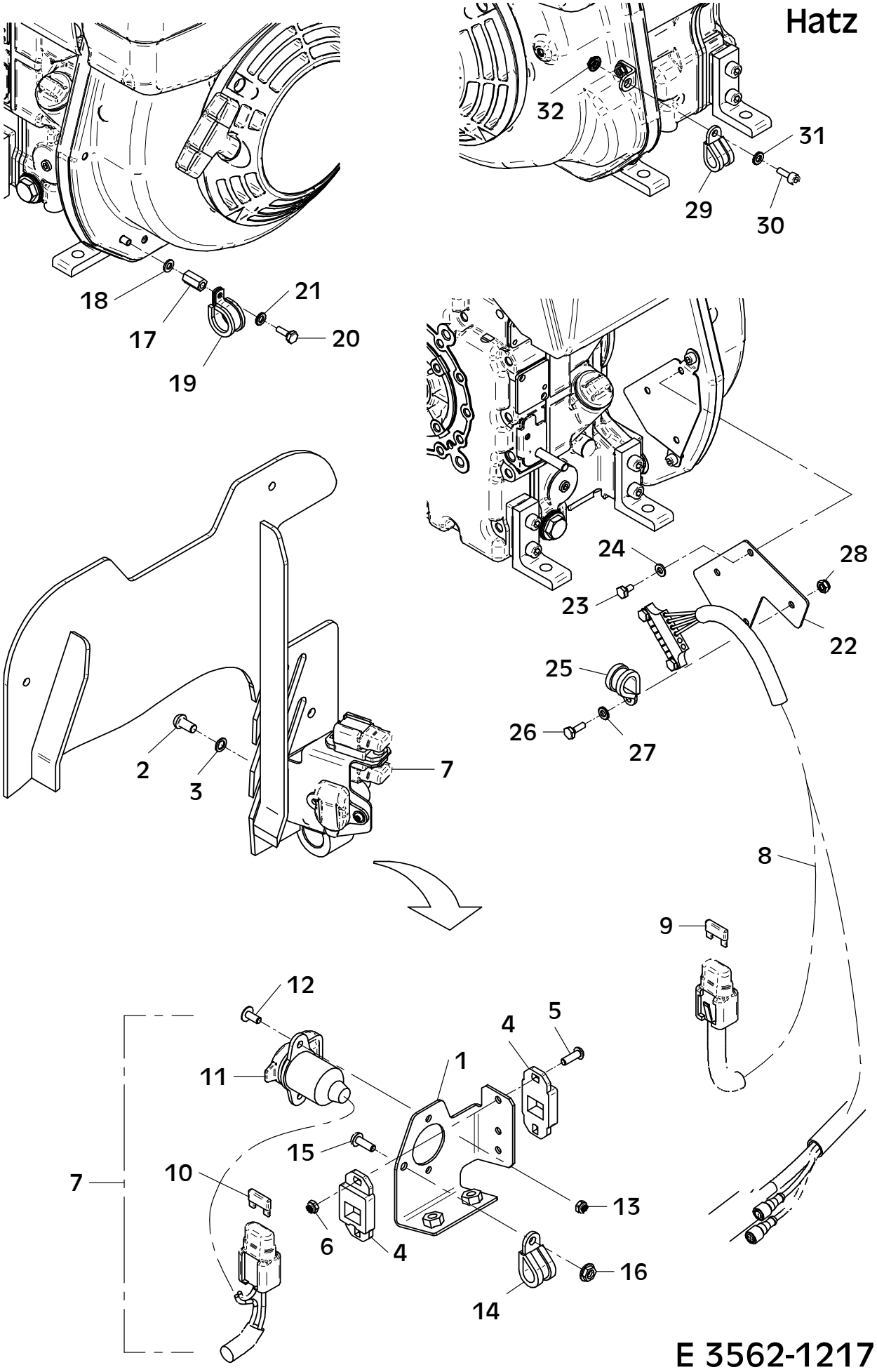
Hatz OOD 2.0



E 3563-1217

| Position Ref.No. Repère Posizione | Menge Quantity Quantité Cantidad | Teile-Nr. Part-No. No. Référence Nr. d'Ordine No. Referenzia | Hinweis Hints Indications Indicazione Indicaciones | Position Ref. No. Repère Posizione | Menge Quantity Quantité Cantidad | Teile-Nr. Part-No. No. Référence Nr. d'Ordine No. Referenzia | Hinweis Hints Indications Indicazione Indicaciones |
|--|---|--|--|---|---|--|--|
| 1 | 1 | 11002050 | | 30 | 1 | 21001071 | |
| 2 | 4 | 25044005 | DIN912-M8x20 | | | | |
| 3 | 4 | 20029003 | VSK 8 | | | | |
| 4 | 1 | 20031502 | | | | | |
| 4 | 1 | 21000063 | EPA | | | | |
| 5 | 2 | 10015530 | | | | | |
| 6 | 1 | 10015631 | | | | | |
| 7 | 1 | 30025028 | 0,19m | | | | |
| 8 | 2 | 21000752 | DIN976-M8x50 | | | | |
| 9 | 4 | 20029031 | SKM 8 | | | | |
| 10 | 6 | 25031003 | DIN934-M8 | | | | |
| 11 | 1 | 20025566 | | | | | |
| 12 | 1 | 21000353 | | | | | |
| 13 | 1 | 20016289 | 0,4m | | | | |
| 14 | 1 | 11002208 | | | | | |
| 15 | 1 | 10001416 | | | | | |
| 16 | 1 | 11001842 | | | | | |
| 17 | 4 | 25033029 | ISO7380-M6x16-10.9 | | | | |
| 18 | 1 | 41001093 | | | | | |
| 19 | 1 | 21001030 | | | | | |
| 20 | 1 | 21000882 | | | | | |
| 21 | 4 | 25033029 | ISO7380-M6x16-10.9 | | | | |
| 22 | 1 | 21001061 | | | | | |
| 23 | 1 | 25033030 | ISO7380-M6x20-10.9 | | | | |
| 24 | 1 | 25048001 | DIN125-A6,4 | | | | |
| 25 | 1 | 20022001 | Tensilock M6 | | | | |
| 26 | 1 | 11002035 | | | | | |
| 27 | 1 | 21000416 | 0,08m | | | | |
| 28 | 1 | 21000416 | 0,045m | | | | |
| 29 | 1 | 20007069 | | | | | |

Hatz



E 3562-1217

E 3562-1217

| Position Ref.No. Repère Posizione Posicion | Menge Quantity Quantité Quantita Cantidad | Teile-Nr. Part-No. No. Référence Nr. d'Ordine No. Referenzia | Hinweis Hints Indications Indicazione Indicaciones | Position Ref. No. Repère Posizione Posicion | Menge Quantity Quantité Quantita Cantidad | Teile-Nr. Part-No. No. Référence Nr. d'Ordine No. Referenzia | Hinweis Hints Indications Indicazione Indicaciones |
|--|---|--|--|---|---|--|--|
| 1 | 1 | 11000873 | | 31 | 1 | 25048001 | DIN125-A6,4 |
| 2 | 2 | 25033032 | ISO7380-M8x16-10.9 | 32 | 1 | 20022001 | Tensilock M6 |
| 3 | 2 | 20025122 | | | | | |
| 4 | 2 | 20031532 | | | | | |
| 5 | 2 | 21000648 | ISO7380-M5x16-10.9 | | | | |
| 6 | 2 | 25031023 | DIN985-M5 | | | | |
| 7 | 1 | 11002034 | | | | | |
| 8 | 1 | 11002033 | | | | | |
| 9 | 1 | 20031541 | 20A | | | | |
| 10 | 1 | 20031526 | 10 A | | | | |
| 11 | 1 | 21000590 | | | | | |
| 12 | 2 | 21000647 | ISO7380-M5x12-10.9 | | | | |
| 13 | 2 | 25031023 | DIN985-M5 | | | | |
| 14 | 1 | 21000185 | | | | | |
| 15 | 1 | 25033029 | ISO7380-M6x16-10.9 | | | | |
| 16 | 1 | 25031012 | DIN985-M6 | | | | |
| 17 | 1 | 20025564 | | | | | |
| 18 | 1 | 20029007 | VSK 6 | | | | |
| 19 | 1 | 20007076 | | | | | |
| 20 | 1 | 25038002 | DIN933-M6x16 | | | | |
| 21 | 1 | 25048001 | DIN125-A6,4 | | | | |
| 22 | 1 | 11002026 | | | | | |
| 23 | 1 | 25038001 | DIN933-M6x10 | | | | |
| 24 | 1 | 20029007 | VSK 6 | | | | |
| 25 | 1 | 20007076 | | | | | |
| 26 | 1 | 25038002 | DIN933-M6x16 | | | | |
| 27 | 1 | 25048001 | DIN125-A6,4 | | | | |
| 28 | 1 | 25031012 | DIN985-M6 | | | | |
| 29 | 1 | 20007069 | | | | | |
| 30 | 1 | 25044003 | DIN912-M6x20 | | | | |