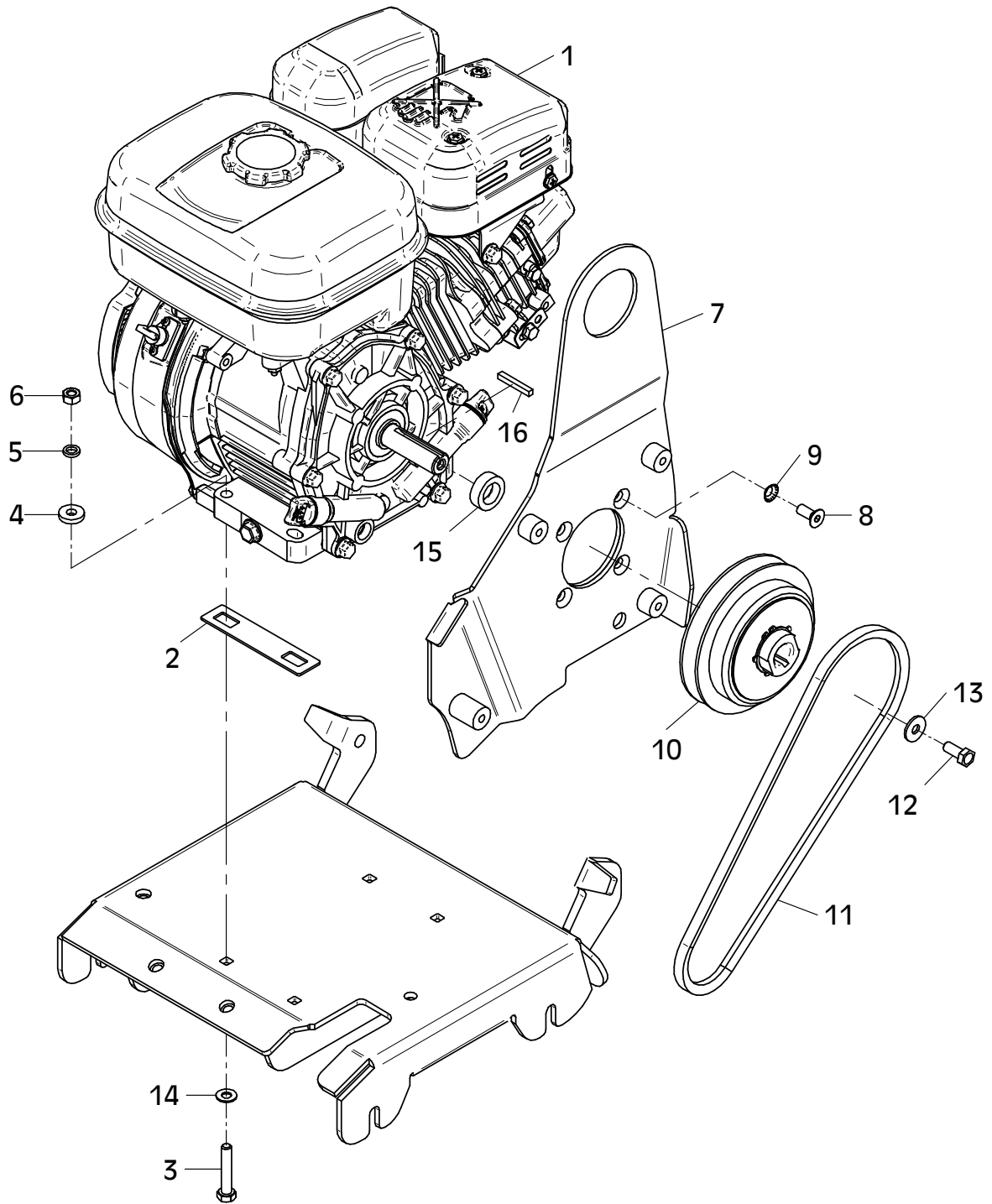


# Robin



E 3595-0215

## E 3595-0215

| Position<br>Ref.No.<br>Repère<br>Posizione<br>Posicion | Menge<br>Quantity<br>Quantité<br>Quantita<br>Cantidad | Teile-Nr.<br>Part-No.<br>No. Référence<br>Nr. d'Ordine<br>No. Referenzia | Hinweis<br>Hints<br>Indications<br>Indicazione<br>Indicaciones | Position<br>Ref. No.<br>Repère<br>Posizione<br>Posicion | Menge<br>Quantity<br>Quantité<br>Quantita<br>Cantidad | Teile-Nr.<br>Part-No.<br>No. Référence<br>Nr. d'Ordine<br>No. Referenzia | Hinweis<br>Hints<br>Indications<br>Indicazione<br>Indicaciones |
|--------------------------------------------------------|-------------------------------------------------------|--------------------------------------------------------------------------|----------------------------------------------------------------|---------------------------------------------------------|-------------------------------------------------------|--------------------------------------------------------------------------|----------------------------------------------------------------|
| 1                                                      | 1                                                     | 21000901                                                                 |                                                                |                                                         |                                                       |                                                                          |                                                                |
| 2                                                      | 2                                                     | 11001025                                                                 |                                                                |                                                         |                                                       |                                                                          |                                                                |
| 3                                                      | 4                                                     | 25040028                                                                 | DIN931-M8x45                                                   |                                                         |                                                       |                                                                          |                                                                |
| 4                                                      | 4                                                     | 25049026                                                                 | DIN7349-8,4                                                    |                                                         |                                                       |                                                                          |                                                                |
| 5                                                      | 4                                                     | 20029024                                                                 |                                                                |                                                         |                                                       |                                                                          |                                                                |
| 6                                                      | 4                                                     | 25031003                                                                 | DIN934-M8                                                      |                                                         |                                                       |                                                                          |                                                                |
| 7                                                      | 1                                                     | 11000931                                                                 |                                                                |                                                         |                                                       |                                                                          |                                                                |
| 8                                                      | 4                                                     | 25047062                                                                 | DIN7991-5/16"-24UNF                                            |                                                         |                                                       |                                                                          |                                                                |
| 9                                                      | 4                                                     | 25005003                                                                 | DIN6798-V8,4                                                   |                                                         |                                                       |                                                                          |                                                                |
| 10                                                     | 1                                                     | 21000501                                                                 |                                                                |                                                         |                                                       |                                                                          |                                                                |
| 11                                                     | 1                                                     | 21000634                                                                 |                                                                |                                                         |                                                       |                                                                          |                                                                |
| 12                                                     | 1                                                     | 25043005                                                                 | DIN933-5/16"                                                   |                                                         |                                                       |                                                                          |                                                                |
| 13                                                     | 1                                                     | 20029021                                                                 | SKB 8                                                          |                                                         |                                                       |                                                                          |                                                                |
| 14                                                     | 4                                                     | 25048002                                                                 | DIN125-A8,4                                                    |                                                         |                                                       |                                                                          |                                                                |
| 15                                                     | 1                                                     | 10016088                                                                 |                                                                |                                                         |                                                       |                                                                          |                                                                |
| 16                                                     | 1                                                     | 10005238                                                                 |                                                                |                                                         |                                                       |                                                                          |                                                                |