

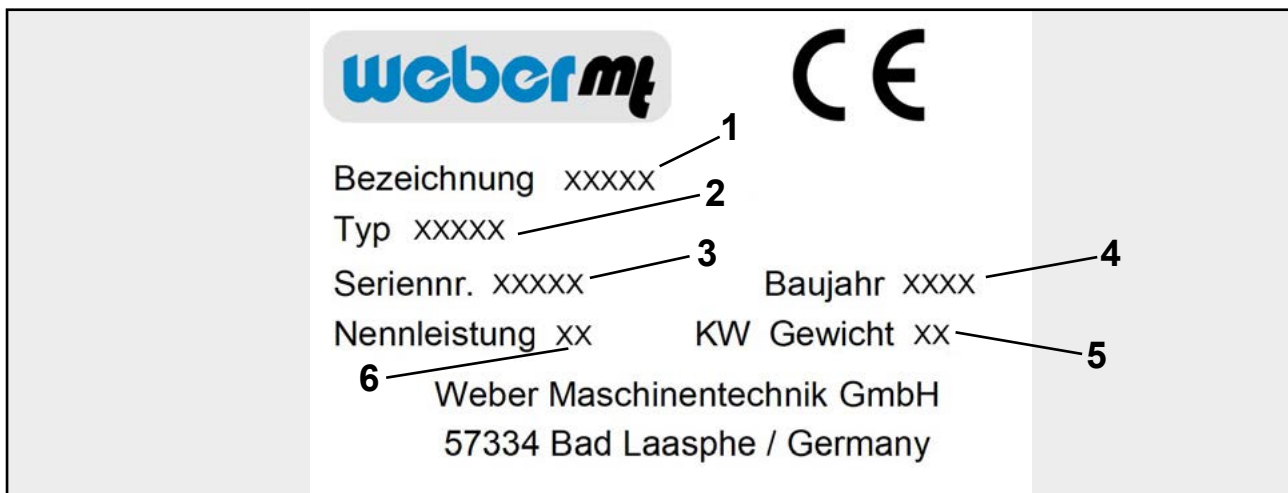
# Operating and Maintenance Manual



## SRV Black Edition III

0170204

Note down the information given on the type plate so that you can recreate the rating plate should the plate be lost.



**1 Description**

.....

**2 Type**

.....

**3 Serial no.**

.....

**4 Year of construction**

.....

**5 Weight**

.....

**6 Rated power kW**

.....

# Contents

<b>1. Introduction</b> .....	<b>4</b>
<b>2. Description</b> .....	<b>5</b>
<b>3. Technical data</b> .....	<b>6</b>
<b>4. Safety</b> .....	<b>7</b>
4.1. Information and safety stickers .....	12
<b>5. Operation</b> .....	<b>13</b>
<b>6. Transport</b> .....	<b>19</b>
<b>7. Storage</b> .....	<b>19</b>
<b>8. Maintenance</b> .....	<b>20</b>
<b>8.1. Maintenance overview</b> .....	<b>21</b>
<b>8.2. Description of the maintenance operations</b> .....	<b>22</b>
8.2.1. Check the engine oil level .....	22
8.2.2. Change the engine oil .....	22
8.2.3. Change the fuel filter .....	23
8.2.4. Clean/change the secondary air filter.....	24
8.2.5. Adjust/replace the spark plug .....	24
8.2.6. Change the tamping foot.....	25
8.2.7. Change the oil in the tamping system .....	25
<b>8.3. Operating fluids and fill levels</b> .....	<b>25</b>

# 1. Introduction

This operating and maintenance manual is designed to help you become familiar with your tamper and enable you to maintain it and use it for its intended purpose.

The safety and maintenance instructions provided in this manual will help avoid hazards, reduce repair and downtime costs and increase the reliability and operational readiness of your tamper. Follow these instructions precisely.

This operating and maintenance manual must always be kept at the implementation site of the tamper and be available to the machine operator.

If you require any additional information, turn to your Weber MT dealer.

Found on the last page of this manual is a QR code. Scan it to acquire the current contact addresses of all Weber MT branches.

You can obtain information on the assembled Honda gasoline engine and find a spare parts list for it at **[www.honda-engines-eu.com](http://www.honda-engines-eu.com)**

You can obtain the current spare parts list of the machine in the WeberMT Service App or use the link below:



<https://www.webermt.com/DE/deu/ersatzteillistenspare-parts-sre-srv-srx/srv-black-edition/>

## 2. Description

The machine is a hand-guided vibrating tamper.  
An air-cooled Honda gasoline engine makes the tamping system vibrate via a centrifugal clutch.  
Start the gasoline engine by hand using the attached reversing starter.  
The engine speed is adjusted between idle speed and full-throttle speed via a gas lever.  
The fuel line is shut off and opened by a valve that has been integrated into the gas lever.

### 3. Technical data

	SRV Black Edition
<b>Weight</b>	
Operating weight CECE (in kg)	63
<b>Dimensions</b>	
Overall length (in mm)	720
Overall width (in mm)	365
Height (in mm)	1040
Tamping foot width (in mm)	280
Impact rate (/min)	700
Stroke (in mm)	65
<b>Drive</b>	
Engine manufacturer	Honda
Type	GX 100
Performance at operating speed in accordance with ISO 3046-1 (kW)	2.1
Combustion process	4-stroke gasoline
Operating speed (m/min)	4100
Fuel	Unleaded gasoline

	SRV Black Edition
<b>Noise emissions in accordance with 2000/14/EC</b>	
Sound pressure level $L_{PA}$ ascertained in accordance with EN 500, in dB (A)	98
Sound power level $L_{WA}$ ascertained in accordance with EN ISO 3744 and EN 500, in dB (A)	108
<b>Vibration values</b>	
Root-mean-square acceleration value for hand-arm vibration ascertained in accordance with EN 500 in $m/s^2$	6,5
In accordance with directive 2006/42/EC, complying with the vibration values is the owner's responsibility.	

## 4. Safety

### General

All safety instructions must be read and complied with, as non-compliance will result in

- danger to life and limb of the user,
- impairments to the machine or other property.

In addition to the operating manual, the accident-prevention regulations in the country where the appliance is used must be complied with.

### Intended use

The machine should only be used in technically faultless condition, as intended, in a safety-conscious and hazard-conscious manner, and in compliance with the instructions in the operating manual.

Malfunctions that impair safety must be eliminated without delay.

The machine is designed exclusively for compacting:

- sand,
- gravel,
- crushed rock,
- semi-cohesive mixed material.

The operator's work position is behind the machine. The operator must guide the machine safely with both hands on the handle.

### Non-intended use

Unless used as intended, the machine involves a risk of personal injury and property damage. The machine is expressly not suitable for:

- use as a ladder or step,
- operation in poorly ventilated rooms,
- use as a tool for driving stakes into the ground,
- operation in an explosive atmosphere.

The responsibility for any damage arising from non-intended use falls on the owner/operator rather than the manufacturer. Damage that can be attributed to non-intended use of the machine will void any warranty claims.

### Residual risk

There is always an increased risk of accidents in the immediate danger area around the machine if the operator fails to notice persons in the vicinity of the machine. Make anyone close to the machine aware of this risk. The operator must not put the machine into operation unless everyone in the vicinity of the machine is aware of this risk.

<b>Requirements on the operator</b>	<p>This soil compactor may only be operated by suitable operators who are of legal age. They must be instructed on how to operate the machine by the owner or by the owner's assigned personnel. The operator must comply with traffic regulations.</p> <p>Maintenance and repairs require specific qualifications. These operations may only be carried out by trained professionals. The machine must not be operated by children.</p>
<b>Personal protective equipment</b>	<p>Personal protective equipment must be worn during operation and while performing maintenance on the machine. It consists of:</p> <ul style="list-style-type: none"> <li>– protective goggles,</li> <li>– hearing protection,</li> <li>– work shoes or boots with toe guard.</li> </ul>
<b>Danger areas</b>	<p>The immediate danger area is the direct perimeter around the machine. This area is off-limits to third parties.</p>
<b>Spare parts, changes and conversions</b>	<p>Changes and conversions are prohibited unless made with original Weber MT spare parts. If the machine is modified with other accessories without the approval of Weber MT, the manufacturer will not assume liability for any resulting personal injury or property damage.</p> <p>All maintenance and repairs must be carried out with original Weber MT spare parts. Untested spare parts may affect the reliability and safety of the machine.</p>
<b>Before starting the machine</b>	<p>After horizontal transport, the oil may have spread inside the engine. To prevent damage to the engine, the machine must be brought to the vertical position for several minutes until the oil has collected in the lower area of the crankcase.</p> <p>There is danger of material damage if the machine is started before necessary maintenance or repairs have been completed. Make sure every time before starting the machine that all work on the machine has been completed.</p> <p>To avoid injuries, the machine must not be started unless the operator wears the required personal protective equipment.</p> <p>Objects placed on top of the machine may fall or be flung off during operation or when the machine is started. Therefore, remove all loose objects or tools before starting the machine.</p>



If the gas cap is open, fuel may escape and ignite on the engine when the machine is started or while it is operating. There is a risk of burns. Therefore, do not start the machine unless the gas cap is closed.

### **Start-up procedure**

Do not disperse any sprays or other agents into the air intake while the machine is starting up. They may lead to overheating in the combustion chamber and result in damage to the engine.

There is danger of suffocation if the operator starts up the machine in closed rooms or in deep and tight trenches. Operating the machine in closed rooms is prohibited. Provide for an adequate supply of air before starting the machine.

### **During operation**

There is a crushing hazard under the tamping foot during operation.

The personal protective equipment will protect the toes, but not the entire foot. Do not step under the tamping foot.

Monitor the surroundings to avoid injury to third parties or material damage.

Suspend operation and shut down the machine if detecting damage on the machine during operation.

### **Parking the machine**

Always park the machine on a level subsurface with sufficient bearing capacity.

Parked machines presenting an obstacle must be secured in accordance with statutory regulations, particularly in the area of public traffic surfaces.

Engine and exhaust heat up during operation and can cause burns on contact. Therefore, do not touch these components during operation or shortly after the engine was switched off.

### **Fueling the machine**

Spilled fuel may ignite and has a negative impact on the environment. Therefore, wipe up spilled fuel and make sure the gas cap is firmly tightened after fueling.

Fuel vapors are easily flammable. Do not smoke and keep away from open fire while refueling the machine. The machine must not be fueled unless the engine is switched off.

## **Safe handling of combustion engines**

Combustion engines pose a particular risk during operation. Their exhaust emissions contain carbon monoxide, a colorless and odorless gas that is extremely hazardous, which, if inhaled even briefly, can cause unconsciousness and death. Therefore, never inhale the exhaust gas.

## **Maintenance**

Maintenance and repairs require specific qualifications. These operations may only be carried out by trained professionals.

There is an increased risk of injury during maintenance and repairs, e.g. crushing at moving parts. Do not perform these operations unless the engine is switched off.

There is a risk of the machine tipping over during work on the machine. Keep proper footing and secure the machine to keep it from overturning during maintenance and repairs.

Following the conclusion of all maintenance and repairs, all protective fixtures must be refitted and placed back into operation.

Discharged operating fluids have a negative impact on the environment. They must be collected and stored in suitable containers. Disposal in accordance with environmental protection regulations.

Before starting the machine after maintenance operations, make sure that all loose parts (screws, tool, etc.) have been removed from the machine. They be drawn in or flung off by moving parts.

Keep the entire machine clean. The stickers must always be clearly legible. Damaged stickers must be replaced.

## **Cleaning work**

Use clear water for cleaning. Do not use flammable solvents. The vapors of the solvents may ignite upon contact with hot components or other sparks.





Perform cleaning tasks only in rooms that are suitable and have been approved for that purpose. Residual oil and lubricants that may have been rinsed off have a negative impact on the environment and must be collected by suitable means (e.g. oil separator).

## **Inspection**

The machine must be inspected in accordance with the corresponding implementation conditions and operating conditions to ensure its operationally safe status. This inspection should be performed as needed by an expert – however, no less than once a year. The findings of the inspection must be stored in writing until the time of the next inspection.

## Safety instructions and warnings


A variety of safety instructions and warnings are used throughout this operating manual. The following explains the meaning of signal words and symbols.

	ATTENTION warns of the danger of material damage.
	CAUTION warns of the danger of slight injury.
	WARNING warns of a danger that may lead to death or serious injury.
	DANGER warns of a danger that will lead to death or serious injury unless avoided.



The information symbol provides supplemental information on the operation of the machine and points to complementary technical information.

#### 4.1. Information and safety stickers

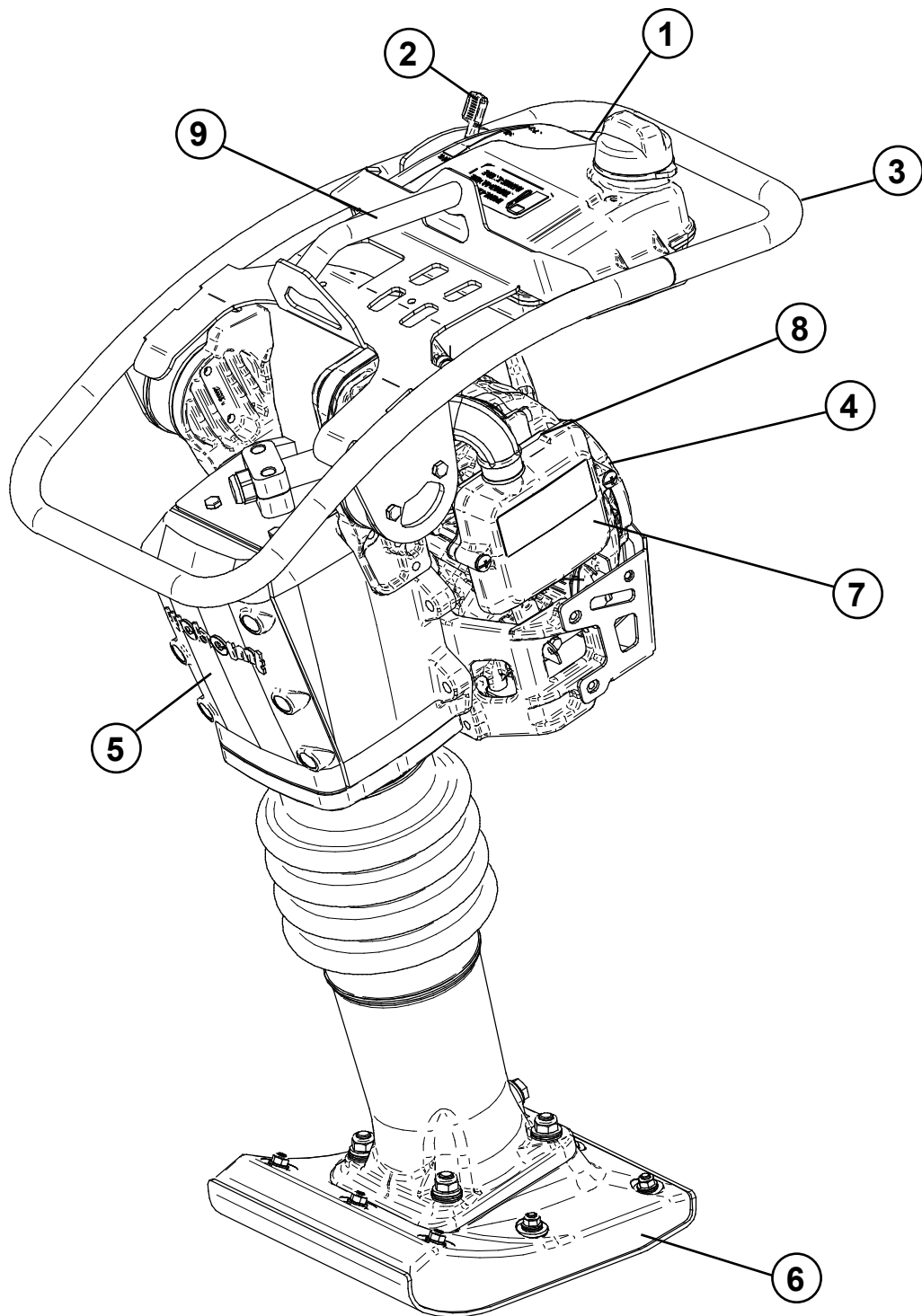
	Sticker	Meaning
1		The sound power level is 108 dB (A). Therefore, wear suitable hearing protection at all times.

## 5. Operation

### Preparing the machine for initial use

- ▶ Remove all packaging material.
- ▶ Check all components for visible damage. Do not start the machine if detecting visible damage. Contact the responsible dealer.
- ▶ Check if the shipment of the machine and its components is complete.
- ▶ Check the fill level of the operating fluids and top off if necessary.
- ▶ Set up the machine at its place of use.

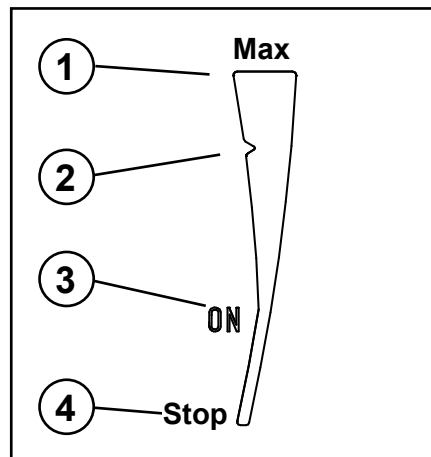
## Operating positions on the machine



### Overall view SRV Black Edition

- |   |                     |   |                |   |               |
|---|---------------------|---|----------------|---|---------------|
| 1 | Fuel tank           | 4 | Engine         | 7 | Air filter    |
| 2 | Gas lever           | 5 | Tamping system | 8 | Choke lever   |
| 3 | Manual guidance rod | 6 | Tamping foot   | 9 | Crane bracket |

## Positions of the gas lever



1	Full throttle	The engine runs at full-throttle speed. The tamper operates at full power.
2	Reduced speed	The engine runs at reduced speed. The tamper operates at reduced power.
3	Idle speed	The engine runs at idle speed.
4	Off	The engine is switched off. The fuel line is closed.



The gas lever may only be switched to the pre-defined lock-in positions. If it is set between idle speed and reduced speed, there will be an increased level of wear on the centrifugal clutch.

## Before starting work

Perform the following tasks before starting to work in order to prevent failures or excessive wear.

### Visual inspections

- ▶ Entire machine for external damage.
- ▶ Fuel system for leaks.
- ▶ Rubber buffers for crack formation.

### Check and, if necessary, correct the fill levels

- ▶ Engine oil level
- ▶ Fuel level

### Other inspections

- ▶ Compliance with the maintenance schedule.
- ▶ Threaded unions for firm seat.



## Working with the machine

### Starting the engine

#### **▲ WARNING**

Danger of suffocation from engine exhausts when starting the engine in closed rooms or poorly ventilated work areas.

- ▶ Start the engine only in well-ventilated environments.
- ▶ See section “Safety” for operating the machine in trenches.

#### **ATTENTION**

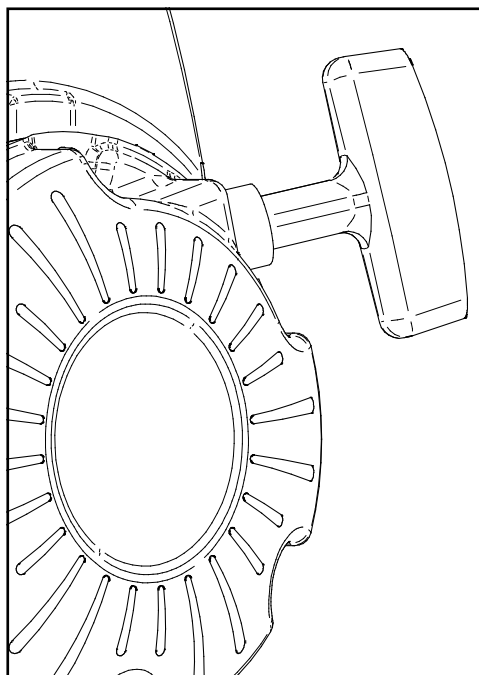
Risk of engine damage caused by insufficient lubrication after horizontal transport.

- ▶ Following horizontal transport, set up the machine vertically and wait several minutes until the engine oil has collected in the lower area of the crankcase.
- ▶ Start the engine as described.

#### **ATTENTION**

Risk of engine damage. The use of starter spray may lead to overheating in the combustion chamber.

- ▶ Do not use any starter spray.



- ▶ Bring the gas lever into full-throttle position (Max.).  
✓ A valve opens the fuel line automatically.
- ▶ Slide the choke lever in arrow direction (all the way to the right).
- ▶ Slowly pull the handle of the reversing starter until resistance (the compression of the engine) is noticeable.
- ▶ Allow the handle to glide back into the initial position.  
▲ CAUTION! The tamper may tip over when the reversing starter is pulled. There is a crushing hazard.
- ▶ Hold on firmly to the tamper while starting it.
- ▶ Pull the handle through quickly, forcefully and completely.
- ▶ Repeat the process if the engine does not start.  
▲ CAUTION! As soon as it starts running, the engine will increase the speed. There is a risk of injury as the tamper is started at full throttle and may perform unexpected movements.
- ▶ Set the gas lever to idle speed immediately after the engine has started to run.
- ▶ Allow the engine to warm up for a few minutes before sliding the choke lever all the way to the left.

## Compacting

### **▲ WARNING**

There is a crushing hazard under the tamping foot from the movement of the tamper during compacting.

- ▶ Wear the personal protective equipment.
- ▶ Only guide the tamper in the grip area of the manual guidance rod.

### **▲ CAUTION**

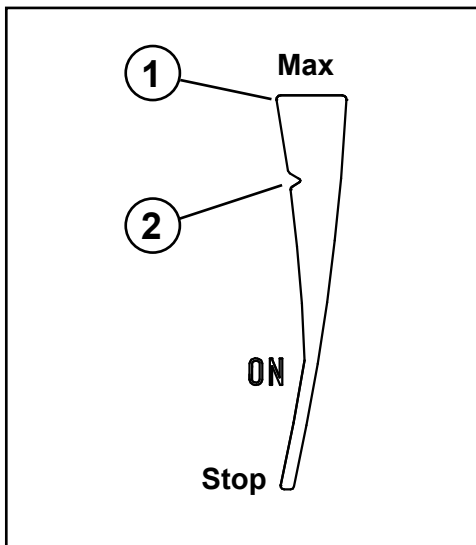
There is a crushing hazard between the tamper and the wall during work in close proximity to walls.

- ▶ Use extra caution when working close to obstacles

### **▲ CAUTION**

If guided incorrectly, the tamper may tip over during operation. There is a crushing hazard.

- ▶ Guide the tamper safely with both hands in the grip area of the manual guidance rod.
- ▶ Start the engine.
- ▶ Select the desired speed at the gas lever (full throttle (1) or reduced (2) speed).
- ▶ Guide the tamper with both hands on the manual guidance rod.



## Switching off the engine

- ▶ Allow the engine to cool down at idle speed for a few minutes (gas level in "ON" position).
- ▶ To switch the machine off, set the gas lever to the "Stop" position.
- ✓ The engine is switched off, and the fuel valve is closed.

## 6. Transport

### Lifting the machine

The machine can be lifted for loading onto a vehicle.

#### CAUTION

Risk of material damage and injuries. The use of defective or unsuitable lifting gear may cause the machine to fall down.

- ▶ Use slings that possess the appropriate carrying capacity.
- ▶ Fit the crane hook into the lifting ring and lift the machine up straight.

### Storage during transport

Preferably transport the tamper in the upright position. If this is not possible, the tamper must be laid on the side that houses the exhaust. This is the only way to prevent any remaining fuel from exiting the carburetor and fuel line and entering the air filter.

## 7. Storage

### Storage at the construction site

If stored at the construction site, e.g. over night, the machine must be secured against theft and unauthorized use.

Parked machines presenting an obstacle must be secured in accordance with statutory regulations, particularly in the area of public traffic surfaces.

### Storage for an extended period

If the machine will not be used for a period longer than one month, the following measures must be taken:

- ▶ Clean the entire machine thoroughly.
- ▶ Check the entire machine for leaks. Correct any detected defects.
- ▶ Empty fuel and fill the tank with clean fuel.
- ▶ Check and, if necessary, correct the engine oil level.
- ▶ Check and clean air and fuel filter. Replace if damaged.
- ▶ Lightly oil all bare parts, levers and accelerator control cables.



If the machine is to be stored for longer than six months, contact the Weber MT's service organization to discuss additional measures.

## 8. Maintenance

### **General information**

The section below contains instructions that need to be observed for regular maintenance. Read these instructions carefully and follow them in order to prevent downtimes of the machine caused by excessive wear or damage to the machine. Also read the safety instructions relevant to machine maintenance before you begin with the maintenance work. They help minimize the risk to maintenance personnel.

### **Maintenance personnel**

Maintenance and repairs require specific qualifications. These operations may only be carried out by trained professionals. Maintenance personnel must be instructed on how to operate the machine by the owner or by the owner's assigned personnel.

Maintenance personnel are required to wear the personal protective equipment during work (see section "Safety").

## 8.1. Maintenance overview

Activity	Frequency			See section
	Initial maintenance/ after 10 operating hours	Every 50 operating hours/every six months	Every 150 operating hours/every year	
Check for visible damage	X			
Change the engine oil	X	X	X	8.2.2
Re-tighten all accessible threaded connections	X			
Check the valve of the engine	X		X	Instructions Honda
Replace the fuel filter		X	X	8.2.3
Clean the air filter, check for damage and replace if necessary		X	X	8.2.4
Change the oil in the tamping system			X	8.2.7



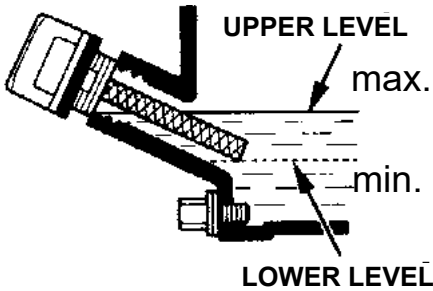
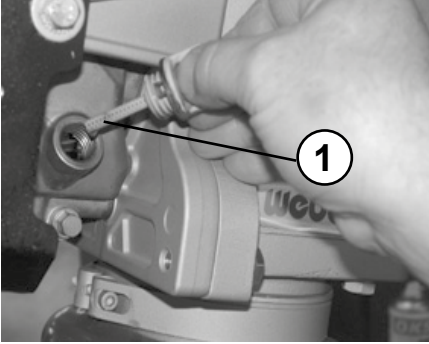
The regulations and the operating and maintenance manuals of the engine manufacturer must be complied with in addition to the activities specified in the above maintenance overview.



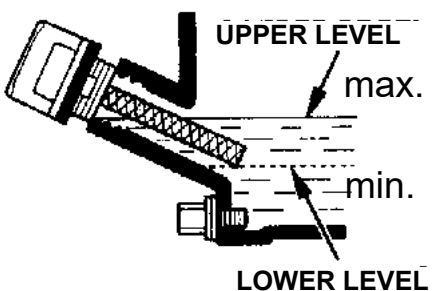
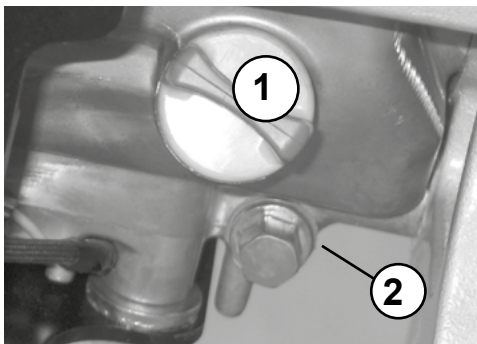
YouTube Playlist - Service Videos

## 8.2. Description of the maintenance operations

### 8.2.1. Check the engine oil level



### 8.2.2. Change the engine oil



#### **⚠ WARNING**

If lubricating oils and fuel come into contact with skin, they can cause skin cancer.

- ▶ Wear protective gloves.
- ▶ If skin contact has occurred, wash the affected areas thoroughly.
- ▶ Unscrew the oil dip stick (1) from the crankcase.
- ▶ Insert the oil dip stick in the oil filler neck as shown, but do not screw it in.

- ▶ Pull out and read the oil dip stick; the correct oil level ranges between the upper level (max) and the lower level (min).
- ▶ Screw the oil dip stick back into the oil filler neck.

#### **⚠ CAUTION**

Danger of burn injuries at the hot engine and its attachments.

- ▶ Allow the combustion engine to cool down sufficiently before starting work.
- ▶ Use extra caution during work on the engine when it is at operating temperature.

- ▶ Place a suitable collection vessel under the oil drain.

- ▶ Unscrew the oil dip stick (1) from the crankcase.

**⚠ CAUTION!** Danger of scalding due to hot oil.

- ▶ Wear protective gloves.
- ▶ Use extra caution.

- ▶ Open the drain plug (2) of the engine and drain the oil.

- ▶ Screw in the drain plug (2) with a new seal.

- ▶ Fill fresh oil into the oil inlet in accordance with the specification.

- ▶ Check the oil level and top off until the oil reaches the upper level (max).

### 8.2.3. Change the fuel filter

The fuel runs through two filters between tank and engine. Both filters must be replaced every 50 operating hours or every six months.

#### **▲ WARNING**

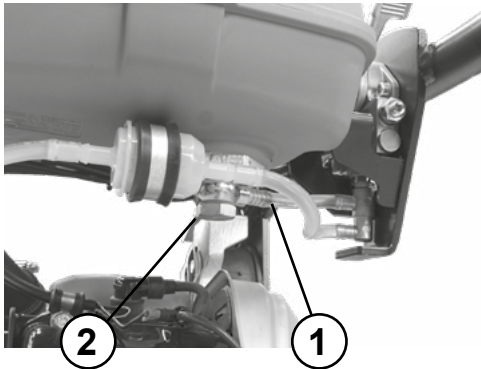
Fuels are easily flammable. There is a risk of fire during work on the fuel system.

- ▶ Do not smoke.
- ▶ Have suitable fire-extinguishing agents at the ready.

#### Change the in-line fuel filter

#### **▲ CAUTION**

Pulling the hose (1) off the in-line fuel filter (2) will drain the entire fuel tank. There is a risk of environmental damage.



- ▶ Before starting work, drain the fuel tank completely OR
- ▶ Place a vessel of sufficient size under the in-line fuel filter and catch the contents of the tank.

- ▶ Pull the fuel line (1) off the in-line fuel filter (2).

- ▶ Unscrew the in-line fuel filter from the tank.

- ▶ Clean the in-line fuel filter or replace it if damaged.

- ▶ Screw the in-line fuel filter into the tank.

- ▶ Slide the fuel line onto the in-line fuel filter.



#### Change the fuel line filter

#### **▲ CAUTION**

When the hoses are pulled off the line filter, residual fuel may leak out of the hoses. There is a risk of environmental damage.

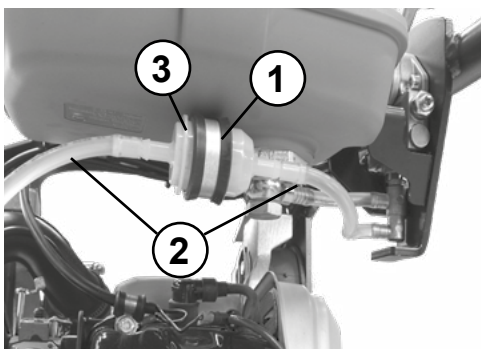
- ▶ Catch this residue and dispose of it in an environmentally responsible manner.

- ▶ Pull the fuel hoses (2) off the fuel line filter (1).

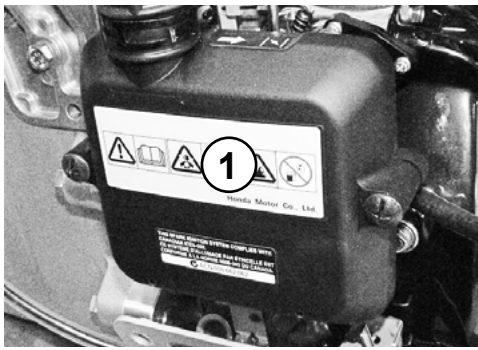
- ▶ Release the clip (3) to remove the fuel line filter.

- ▶ Insert a new filter and fix it in place with the clip (3).

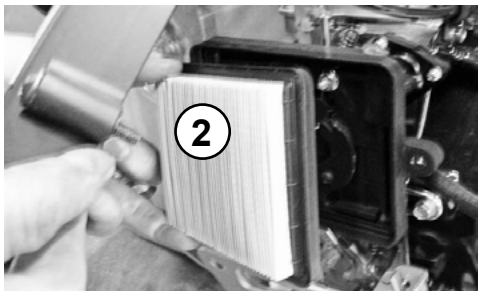
- ▶ Slip the fuel hoses (2) onto the ends of the fuel line filter.



#### 8.2.4. Clean/change the secondary air filter



► Unscrew and take off the air filter cover (1).



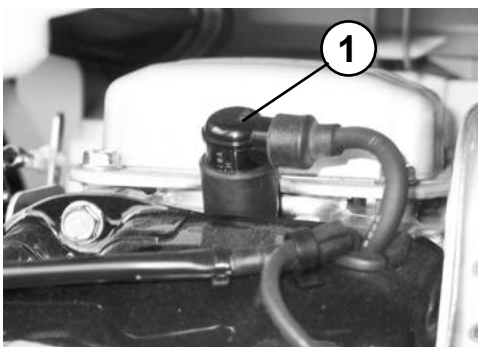
► Remove the air filter (2).

► Clean the air filter by light tapping.

► Replace the air filter insert if there is damage or extreme contamination.

► Install the air filter cover.

#### 8.2.5. Adjust/replace the spark plug



#### **CAUTION**

Danger of burn injuries at the hot engine and its attachments.

► Allow the combustion engine to cool down sufficiently before starting work.

► Use extra caution during work on the engine when it is at operating temperature.

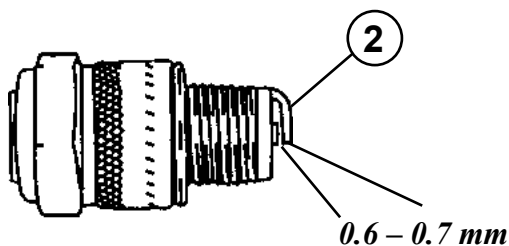
► Pull off the spark plug connector.

► Unscrew the spark plug.

► Clean the electrode (2) of the spark plug.

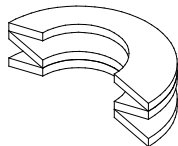
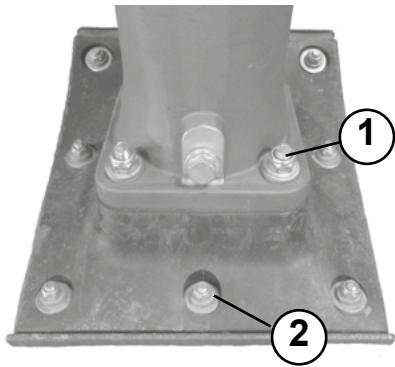
► Measure the electrode air gap; it must be 0.6–0.7 mm.

► If necessary, correct the electrode air gap or replace the spark plug.





### 8.2.6. Change the tamping foot

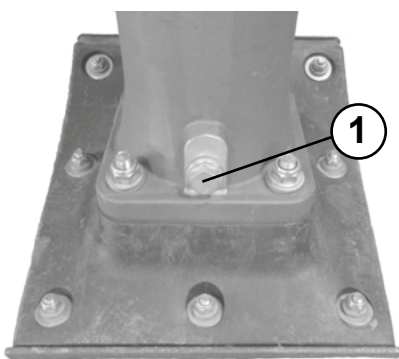


Mounting arrangement of the spring washers

- ▶ Loosen the 4 nuts (1) of the tamping foot (2).
- ▶ Lift the tamper off the tamping foot (2).
- ▶ Install a new tamping foot.
- ▶ The tightening torque of the nuts (1) is 35 Nm.

- ▶ Arrange the spring washers below the nuts as shown in the adjacent illustration.

### 8.2.7. Change the oil in the tamping system



- ▶ Place a suitable collection vessel under the oil drain.
- ▶ Unscrew the screw plug (1) from the fill opening.
- ▶ Tilt the machine backward and let the waste oil drain into the vessel.
- ▶ Tilt the tamper forward and set it down on the protective frame.
- ▶ Fill in new oil in accordance with the specification.
- ▶ Clean the screw plug and screw it in.
- ▶ Dispose of the collected oil in an environmentally responsible manner.

## 8.3. Operating fluids and fill levels

	Operating material		SRV
	Summer	Winter	
	Quality		
Engine oil	SAE 10 W 40		0.3 l
Gasoline	Unleaded gasoline in accordance with DIN 51607		3.0 l
Tamper lower part	Hydraulic oil HVLDPD 68		1.0 l

**Note:**

---

---

---

---

---

---

---

---

---

---

---

---

---

---

---

---

---

---

---

---

---

---

---

---

---

---

---

---

---

---





[facebook.com/WeberMT](https://facebook.com/WeberMT)



[youtube.com/MyWeberMT](https://youtube.com/MyWeberMT)



**Weber Maschinenteknik GmbH**

Im Boden 5–8, 10 · 57334 Bad Laasphe · Germany

Phone +49 2754 398 0 · Fax +49 2754 398 101

[info@webermt.de](mailto:info@webermt.de) · [www.webermt.de](http://www.webermt.de)

085102303-104/SRV BE III\_2023-01  
Original instructions