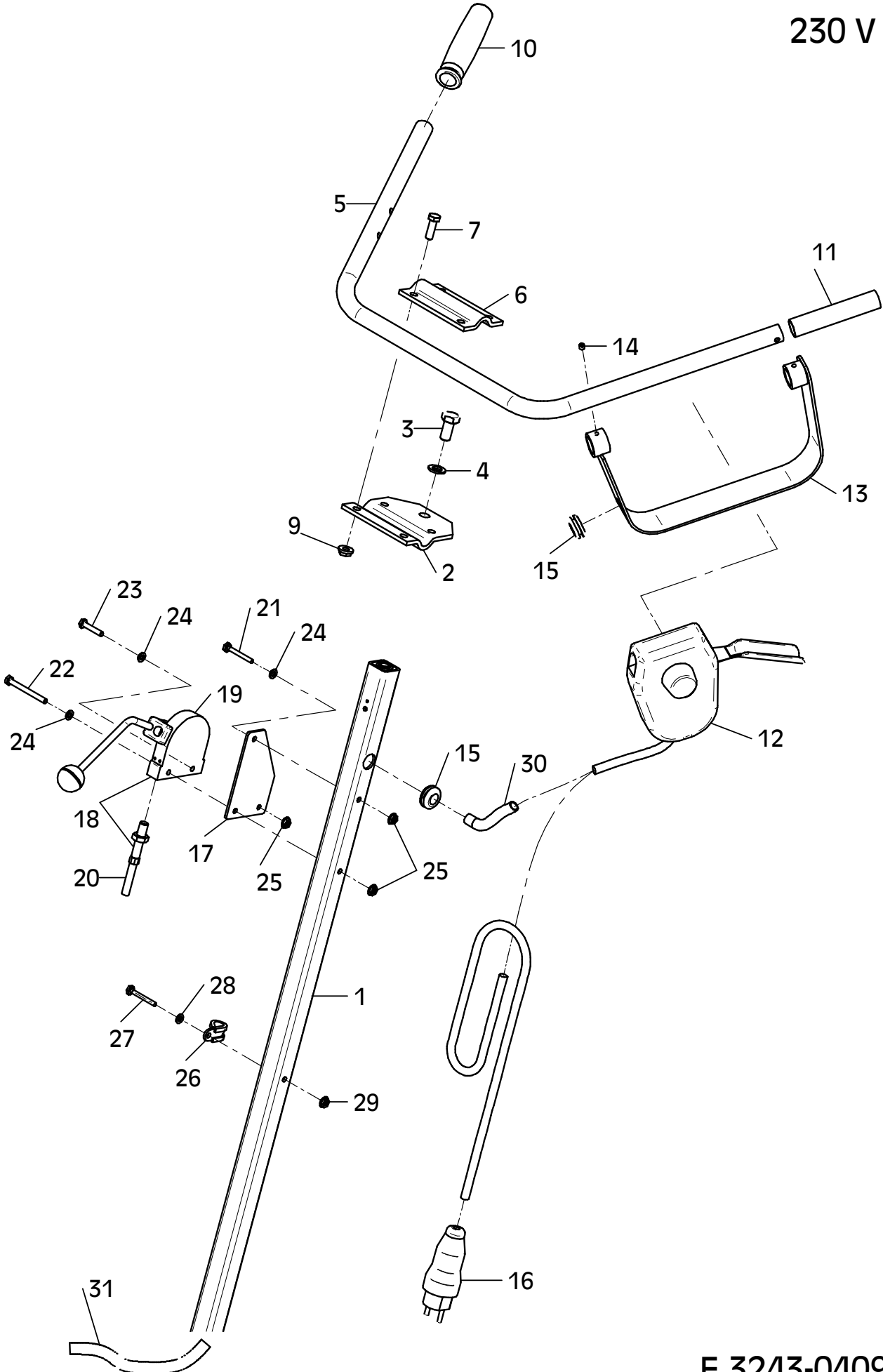


230 V



E 3243-0409

E 3243-0409

| Position Ref.No. Repère Posizione Posicion | Menge Quantity Quantité Quantita Cantidad | Teile-Nr. Part-No. No. Référence Nr. d'Ordine No. Referenzia | Hinweis Hints Indications Indicazione Indicaciones | Position Ref. No. Repère Posizione Posicion | Menge Quantity Quantité Quantita Cantidad | Teile-Nr. Part-No. No. Référence Nr. d'Ordine No. Referenzia | Hinweis Hints Indications Indicazione Indicaciones |
|--|---|--|--|---|---|--|--|
| 1 | 1 | 10003352 | | 31 | 1 | 20016359 | 0,69 m |
| 2 | 1 | 10008042 | | | | | |
| 3 | 1 | 25038019 | DIN933-M12x25 | | | | |
| 4 | 1 | 20029004 | VSK 12 | | | | |
| 5 | 1 | 10017335 | | | | | |
| 6 | 1 | 10008043 | | | | | |
| 7 | 4 | 25038008 | DIN933-M8x25 | | | | |
| 8 | | | | | | | |
| 9 | 4 | 20022002 | Tensilock M8 | | | | |
| 10 | 1 | 20025050 | | | | | |
| 11 | 1 | 10017331 | | | | | |
| 12 | 1 | 20025747 | | | | | |
| 13 | 1 | 10003371 | | | | | |
| 14 | 2 | 25027020 | DIN914-M6x6 | | | | |
| 15 | 3 | 20025794 | | | | | |
| 16 | 1 | 25003023 | | | | | |
| 17 | 1 | 10008044 | | | | | |
| 18 | 1 | 20018031 | | | | | |
| 19 | 1 | 20018032 | | | | | |
| 20 | 1 | 20018033 | | | | | |
| 21 | 1 | 25040077 | DIN931-M6x40 | | | | |
| 22 | 1 | 25040001 | DIN931-M6x60 | | | | |
| 23 | 1 | 25038070 | DIN933-M6x30 | | | | |
| 24 | 3 | 25048001 | DIN125-A6,4 | | | | |
| 25 | 3 | 20022001 | Tensilock M6 | | | | |
| 26 | 1 | 20007007 | | | | | |
| 27 | 1 | 25040077 | DIN931-M6x40 | | | | |
| 28 | 1 | 20029007 | VSK 6 | | | | |
| 29 | 1 | 20022001 | Tensilock M6 | | | | |
| 30 | 1 | 20016359 | 0,39 m | | | | |