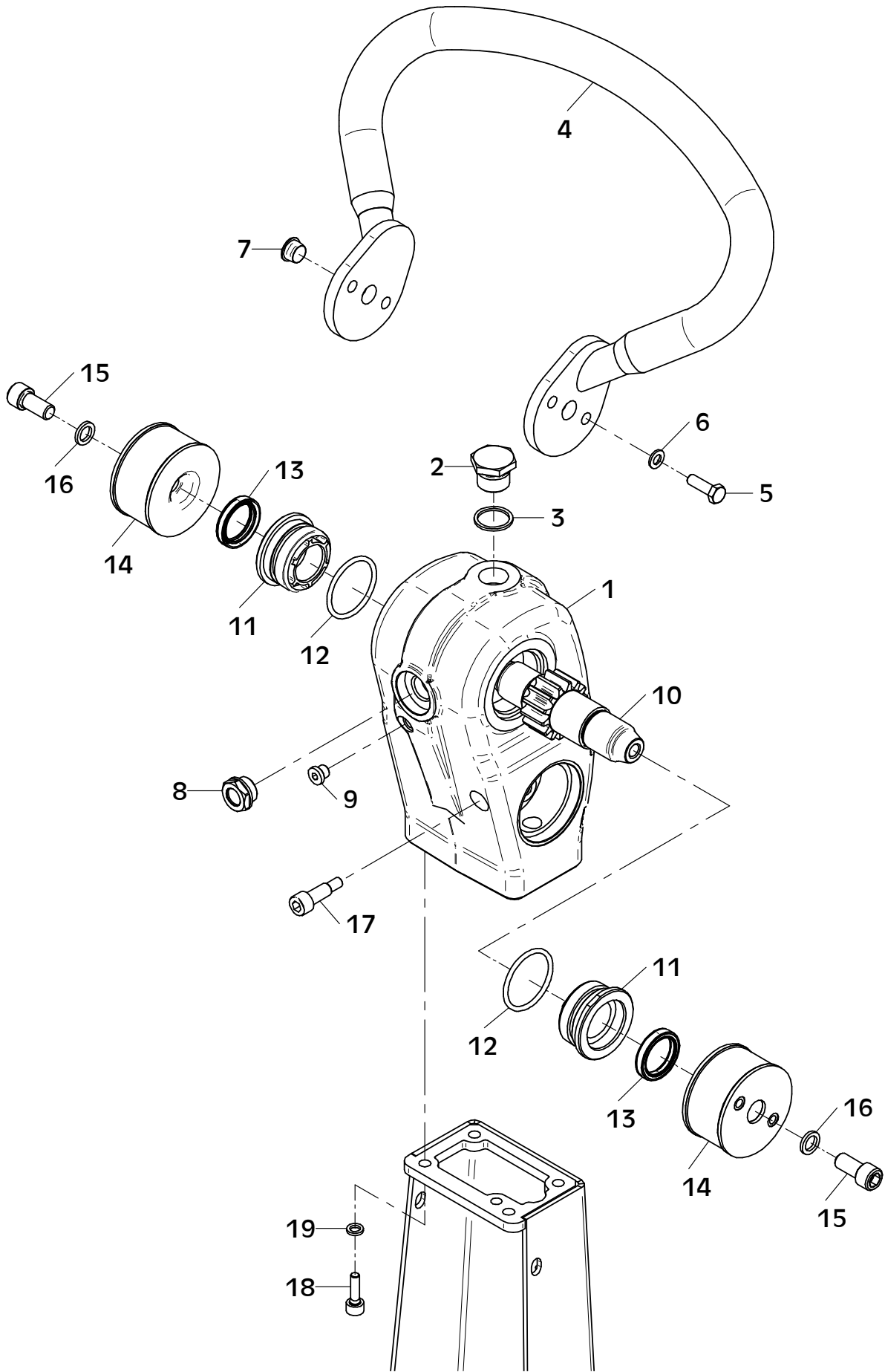


E 3522-0222

E 3522-0222

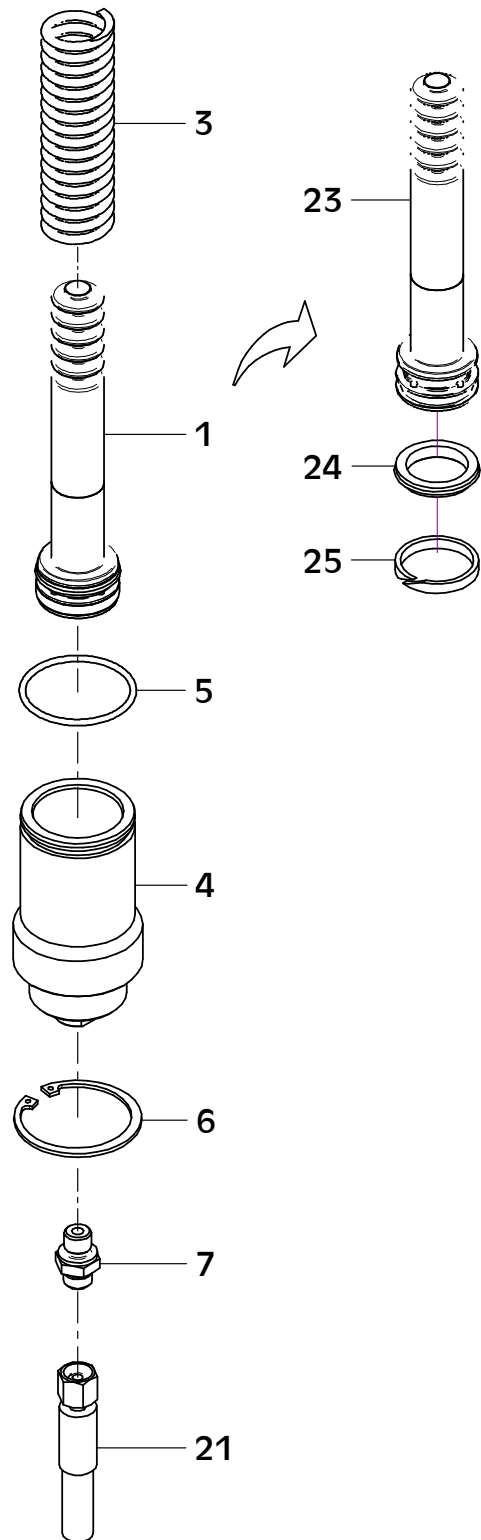
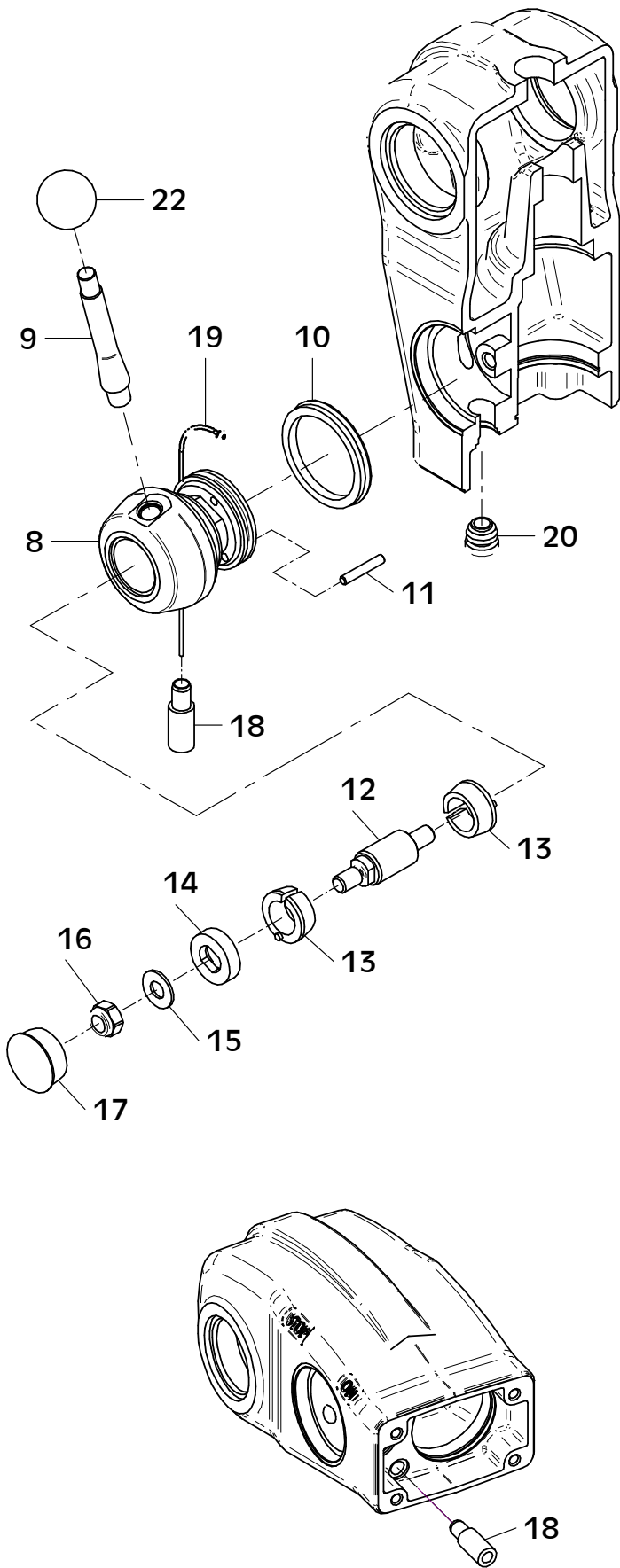
| Position Ref.No. Repère Posizione Posicion | Menge Quantity Quantité Quantita Cantidad | Teile-Nr. Part-No. No. Référence Nr. d'Ordine No. Referenzia | Hinweis Hints Indications Indicazione Indicaciones | Position Ref. No. Repère Posizione Posicion | Menge Quantity Quantité Quantita Cantidad | Teile-Nr. Part-No. No. Référence Nr. d'Ordine No. Referenzia | Hinweis Hints Indications Indicazione Indicaciones |
|--|---|--|--|---|---|--|--|
| 1 | 1 | 11001533 | | 31 | 2 | 20026135 | 0,05m |
| 2 | 1 | 11001540 | | 32 | 1 | 21000355 | |
| 3 | 1 | 11001542 | | 33 | 1 | 25038002 | DIN933-M6x16 |
| 4 | 13 | 25038006 | DIN933-M8x16 | 34 | 1 | 20029020 | SKB 6 |
| 5 | 13 | 20029031 | SKM 8 | 35 | 1 | 20007226 | |
| 6 | 2 | 11001460 | | 36 | 1 | 25031012 | DIN985-M6 |
| 7 | 4 | 25044126 | DIN912-M8x75 | 37 | 0 | 11001604 | |
| 8 | 4 | 20029003 | VSK 8 | 38 | 2 | 20025485 | |
| 9 | 4 | 25031003 | DIN934-M8 | | | | |
| 10 | 2 | 20004023 | | | | | |
| 11 | 2 | 11001370 | | | | | |
| 12 | 2 | 20026491 | | | | | |
| 13 | 2 | 10016442 | | | | | |
| 14 | 2 | 25040022 | DIN931-M16x70 | | | | |
| 15 | 2 | 20029002 | VSK 16 | | | | |
| 16 | 4 | 25038008 | DIN933-M8x25 | | | | |
| 17 | 4 | 20029003 | VSK 8 | | | | |
| 18 | 1 | 20004018 | | | | | |
| 19 | 1 | 20029032 | SKM 12 | | | | |
| 20 | 1 | 25031005 | DIN934-M12 | | | | |
| 21 | 1 | 11001554 | | | | | |
| 22 | 1 | 11001372 | | | | | |
| 23 | 1 | 25038019 | DIN933-M12x25 | | | | |
| 24 | 1 | 20029032 | SKM 12 | | | | |
| 25 | 2 | 20007089 | | | | | |
| 26 | 2 | 25040065 | DIN931-M8x40 | | | | |
| 27 | 2 | 20029031 | SKM 8 | | | | |
| 28 | 1 | 20005003 | | | | | |
| 29 | 1 | 20029033 | SKM 10 | | | | |
| 30 | 1 | 25031004 | DIN934-M10 | | | | |



E 3523-0222

E 3523-0222

| Position Ref.No. Repère Posizione Posicion | Menge Quantity Quantité Quantita Cantidad | Teile-Nr. Part-No. No. Référence Nr. d'Ordine No. Referenzia | Hinweis Hints Indications Indicazione Indicaciones | Position Ref. No. Repère Posizione Posicion | Menge Quantity Quantité Quantita Cantidad | Teile-Nr. Part-No. No. Référence Nr. d'Ordine No. Referenzia | Hinweis Hints Indications Indicazione Indicaciones |
|--|---|--|--|---|---|--|--|
| 1 | 1 | 11001322 | | | | | |
| 2 | 1 | 11002157 | | | | | |
| 3 | 1 | 21000792 | DIN7603-24x29x2 | | | | |
| 4 | 1 | 11000038 | | | | | |
| 5 | 4 | 25038007 | DIN933-M8x20 | | | | |
| 6 | 4 | 20029003 | VSK 8 | | | | |
| 7 | 2 | 20025593 | | | | | |
| 8 | 1 | 21000256 | | | | | |
| 9 | 1 | 25030001 | DIN908-M10x1 | | | | |
| 10 | 1 | 11001515 | | | | | |
| 11 | 2 | 11002580 | | | | | |
| 12 | 2 | 20013284 | | | | | |
| 13 | 2 | 21000009 | | | | | |
| 14 | 2 | 10017400 | | | | | |
| 15 | 2 | 25044035 | DIN912-M12x25 | | | | |
| 16 | 2 | 20025158 | VS 12 | | | | |
| 17 | 1 | 11001519 | | | | | |
| 18 | 4 | 25044006 | DIN912-M8x25 | | | | |
| 19 | 4 | 20025122 | VS 8 | | | | |



E 3524-0222

E 3524-0222

| Position Ref.No. Repère Posizione Posicion | Menge Quantity Quantité Quantita Cantidad | Teile-Nr. Part-No. No. Référence Nr. d'Ordine No. Referenzia | Hinweis Hints Indications Indicazione Indicaciones | Position Ref. No. Repère Posizione Posicion | Menge Quantity Quantité Quantita Cantidad | Teile-Nr. Part-No. No. Référence Nr. d'Ordine No. Referenzia | Hinweis Hints Indications Indicazione Indicaciones |
|--|---|--|--|---|---|--|--|
| 1 | 1 | 12000292 | | | | | |
| 2 | | | | | | | |
| 3 | 1 | 20008069 | | | | | |
| 4 | 1 | 11002688 | | | | | |
| 5 | 1 | 20013273 | | | | | |
| 6 | 1 | 25035003 | DIN472-J62x2,0 | | | | |
| 7 | 1 | 20020562 | | | | | |
| 8 | 1 | 11002107 | | | | | |
| 9 | 1 | 11002104 | | | | | |
| 10 | 1 | 21000783 | | | | | |
| 11 | 2 | 21000782 | DIN6325-5x30 | | | | |
| 12 | 1 | 11001521 | | | | | |
| 13 | 2 | 11001592 | | | | | |
| 14 | 1 | 11001593 | | | | | |
| 15 | 1 | 20029033 | SKM 10 | | | | |
| 16 | 1 | 25031014 | DIN985-M10 | | | | |
| 17 | 1 | 21000784 | | | | | |
| 18 | 1 | 11001522 | | | | | |
| 19 | 1 | 21000795 | | | | | |
| 20 | 1 | 21000868 | | | | | |
| 21 | 1 | 21000825 | | | | | |
| 22 | 1 | 21001101 | | | | | |
| 23 | 1 | 11002585 | | | | | |
| 24 | 1 | 20013282 | | | | | |
| 25 | 1 | 21001004 | | | | | |
| | | | | | | CR 8 | ab Serien-Nr. 20067257 |
| | | | | | | CR 9 | ab Serien-Nr. 20066148 |